

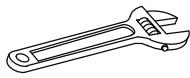
YOUR GLASS VESSEL SINK

All vessel sinks do not have an overflow and may require a specific type of drain such as a pop-up, twist and turn or a grid drain assembly. Please check your local plumbing codes to determine which drain will meet local plumbing code standards for this product.

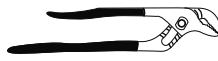
BEFORE YOU BEGIN

- Observe all local plumbing and building codes.
- Follow these instructions only if it apply to your installation. Vessel sinks allow you to be creative and flexible with your installation.
- Before installation, remove your new glass sink and carefully inspect it for damage. Return the glass sink to its packaging until you are ready to install it.
- These instructions contain important care and cleaning instructions. Please review these instructions carefully.

SUGGESTED TOOLS AND MATERIALS



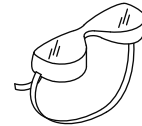
Adjustable Wrench



Channel Lock

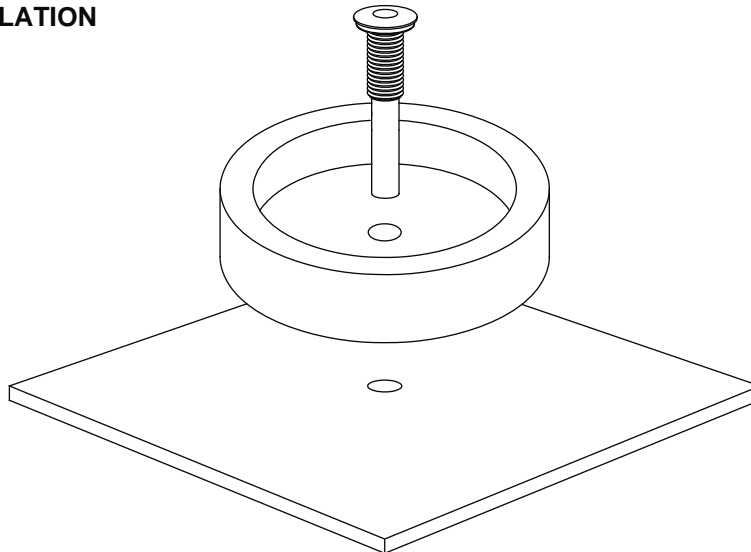


Tape Measure



Safety Glasses

ABOVE COUNTER INSTALLATION



STEP 1:

Cut out a 1 3/4" hole on the counter-top for the drain. Please refer to the cutout template.

STEP 2:

Carefully, position the sink in the cutout opening. If you have mounting ring, place the mounting ring on the counter-top before positioning the sink.

STEP 3:

Use moderate force and hand-tighten the drain kit to the sink, to secure it on the counter-top. It may be necessary to cut part of the tail-piece or part of the horizontal leg in order to make fit to existing plumbing.

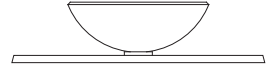


CAUTION! Do not overtighten drain assembly as this may cause bowl to forcefully crack during installation or at some time in future.

CARE INSTRUCTIONS

For best results in caring your glass sink, we suggest:

- Never use strong / abrasive cleaner. Always test your cleaning solution on unnoticeable area before applying to the entire surface.
- Wipe surfaces clean, immediately after applying cleaner.
- Do not allow cleaner to sit or soak. Never let cleaners sit on the surface of the glass.
- Use a soft, dampened sponge and cloth. Never use an abrasive material such as brush or scouring pad to clean surfaces. They will scratch the glass surface.
- Always rinse and wipe clean the fixtures to prevent soap buildup.



ABOVE-THE-COUNTER INSTALLATION

