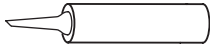


### SUGGESTED TOOLS AND MATERIALS



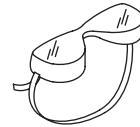
Sealant



Saber Saw



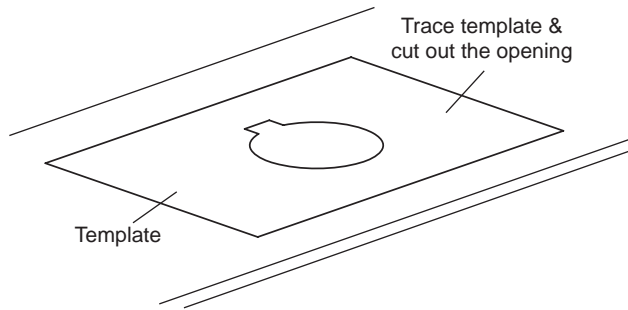
Tape Measure



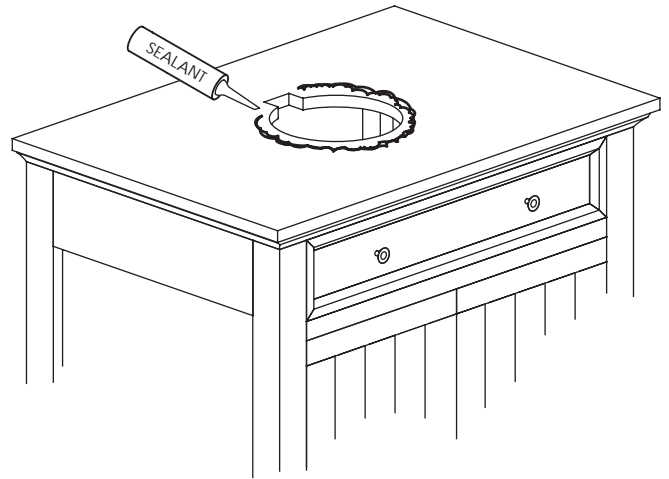
Safety Glasses

### SINK INSTALLATION

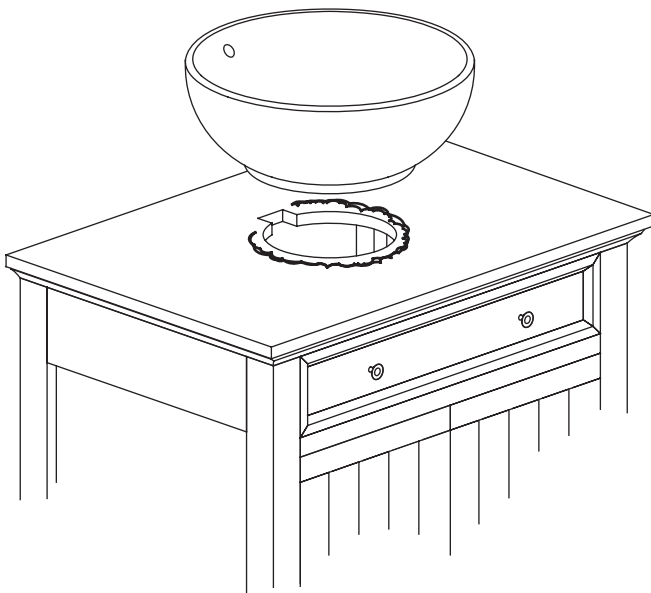
1



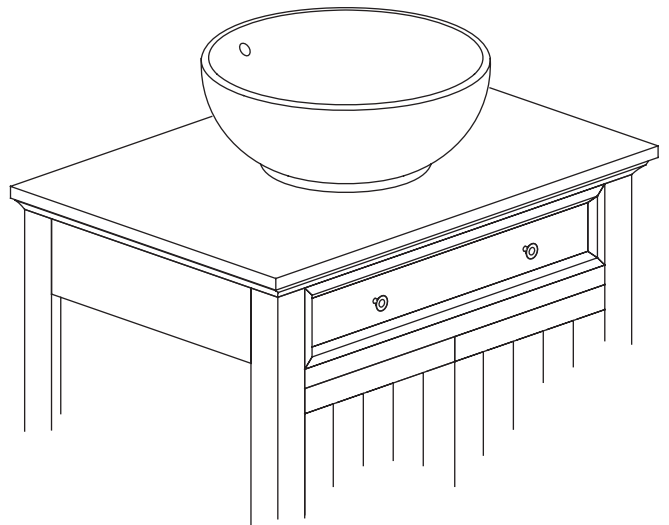
2



3



4



### CARE AND CLEANING

For best results in caring your China sink, we suggest:

- Never use strong / abrasive cleaner. Always test your cleaning solution on unnoticeable area before applying to the entire surface.
- Wipe surfaces clean, immediately after applying cleaner.
- Do not allow cleaner to sit or soak. Never let cleaners sit on the surface of the lavatory.
- Use a soft, dampened sponge and cloth. Never use an abrasive material such as brush or scouring pad to clean surfaces. They will scratch the lavatory surface.
- Always rinse and wipe clean the fixtures to prevent soap buildup.