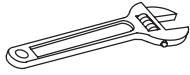


### SUGGESTED TOOLS AND MATERIALS



Adjustable Wrench



Teflon Tape



Hex Wrench (supplied)



Channel Lock

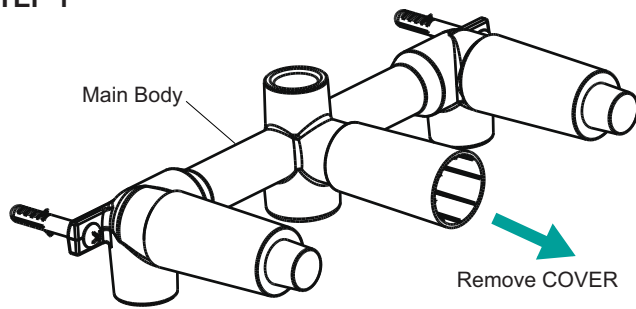
### BEFORE YOU BEGIN

- Turn off the main water supply
- Observe all local plumbing and building codes

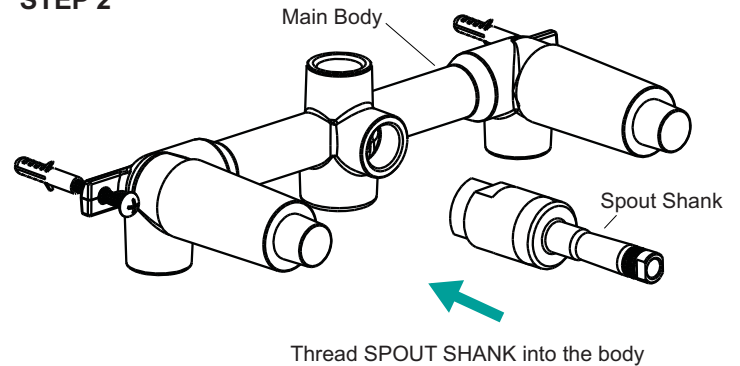
### INSTALL THE LAVATORY FAUCET

**Important!** Use care when installing the wall mount faucet to avoid scratching the finish.

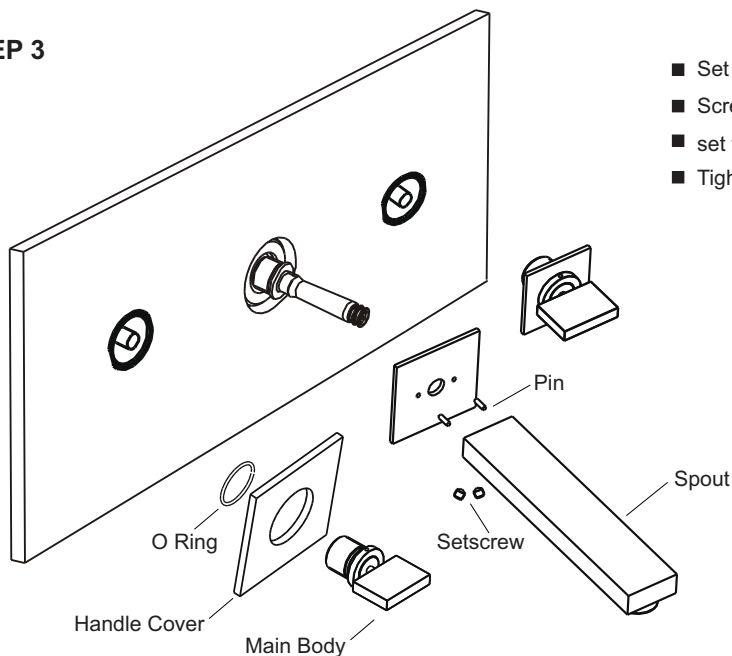
#### STEP 1



#### STEP 2



#### STEP 3



- Set the O Ring onto the PLATE and Install the HANDLE
- Screw the HANDLE onto the VALVE BODY with HEX WRENCH provided
- set the PLATE, PIN and SPOUT on the SPOUT SHANK
- Tighten the SETSCREW with the HEX WRENCH provided

### TEST INSTALLED FAUCET

- Unscrew Aerator Cover from the Spout
- Remove Aerator and Washer from the Spout
- Turn ON faucet for two minutes to flush water lines thoroughly.  
Debris in the water can damage the Cartridge causing it to leak.
- Replace Washer and Aerator to the Spout
- Replace Aerator Cover to the Spout

### CARE INSTRUCTIONS

To keep your new faucet looking new, please follow these simple care instructions

- DO:** Simply rinse the faucet clean with clean water and mild soap  
Dry the faucet with a soft cotton cloth
- DON'T:** Do not use any abrasive cleaners, cloths or paper towels.  
Do not use any cleaning agents containing acids, polish abrasives or harsh cleaner or soap

Regular and routine cleaning will reduce the need for heavy cleaning and polishing.

