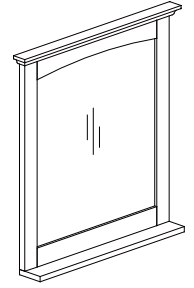


## THANK YOU FOR CHOOSING XYLEM

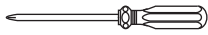
Please take a few minutes to review this manual before you start installation. If you encounter any installation problems, please don't hesitate to contact us.

Before you begin, please observe all local building codes. Unpack the new product and inspect for damage.

The appearance of your vanity may differ from the illustrations in this guide. This instructions still apply.



## SUGGESTED TOOLS AND MATERIALS



Philips Screwdriver



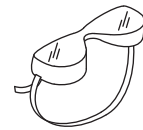
Level



Drill

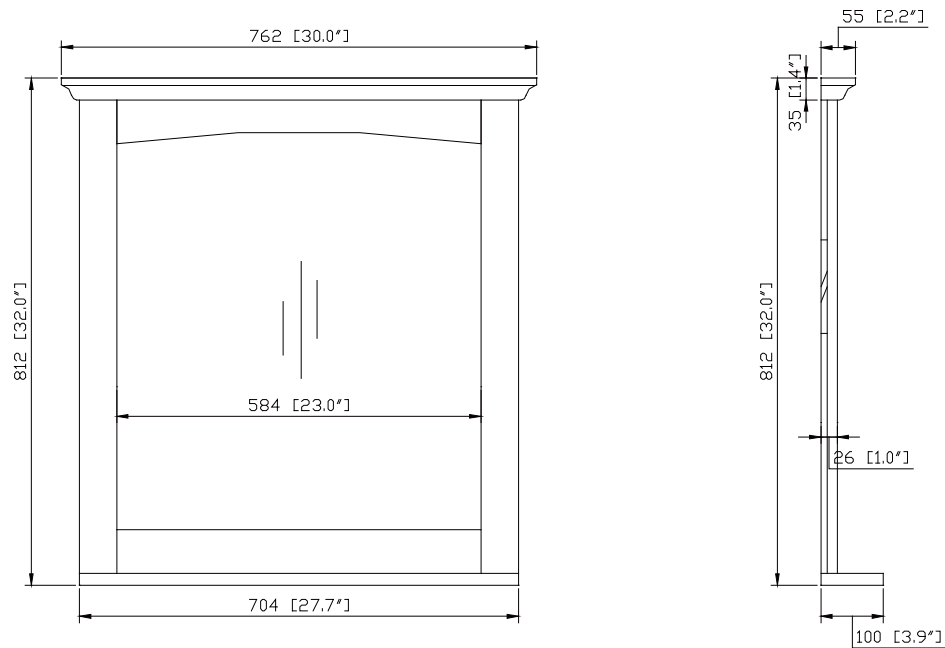


Tape Measure



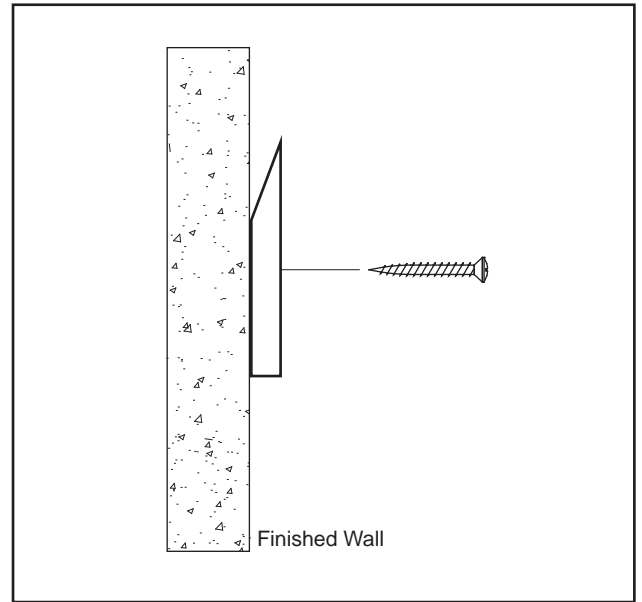
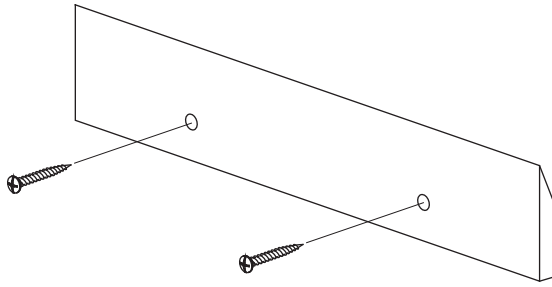
Safety Glasses

## ROUGH-IN DIMENSIONS

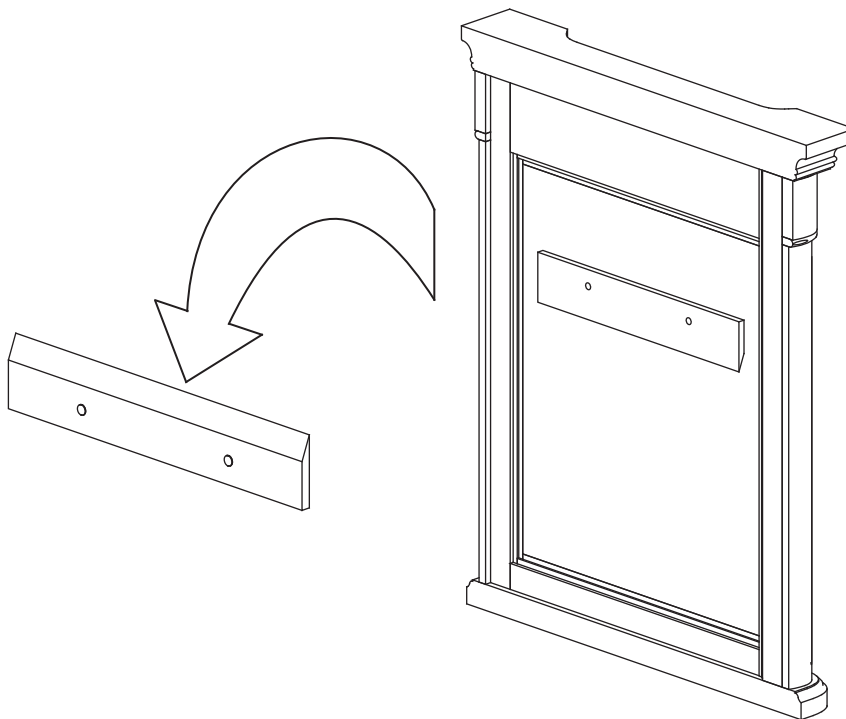


## MIRROR INSTALLATION

1



2



---

## CARE AND CLEANING

- Clean the product by using a soft, slightly damp cloth. Buff the product by using a soft dry cloth. When cleaning the mirror, spray the mirror with a glass cleaner and wipe clean. Avoid using silicone cleaners and waxes.