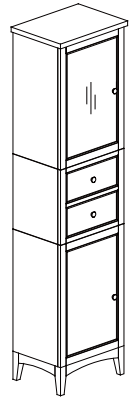


THANK YOU FOR CHOOSING XYLEM

Please take a few minutes to review this manual before you start installation. If you encounter any installation problems, please don't hesitate to contact us.

Before you begin, please observe all local building codes. Unpack the new product and inspect for damage.

The appearance of your shelf may differ from the illustrations in this guide. This instructions still apply.



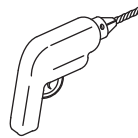
SUGGESTED TOOLS AND MATERIALS



Philips Screwdriver



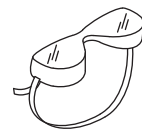
Level



Drill



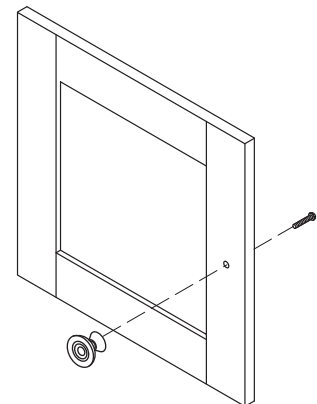
Tape Measure



Safety Glasses

INSTALLATION INSTRUCTIONS

Handles come installed backwards. Remove handles and reinstall properly on the front. Hand tighten the handles.

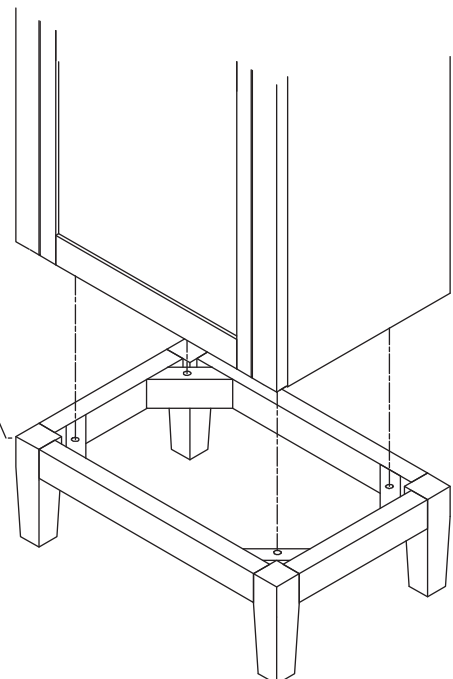
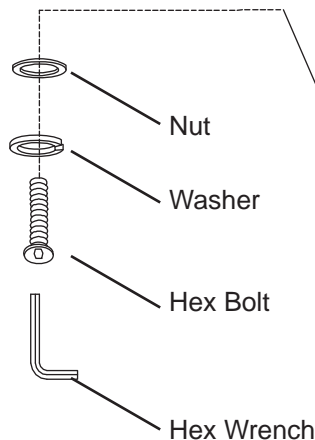


BASE INSTALLATION

Carefully, turn the storage shelf over and place the base onto the storage shelf.

Insert hex bolts and washers into the holes in the corner of the bracket of the base.

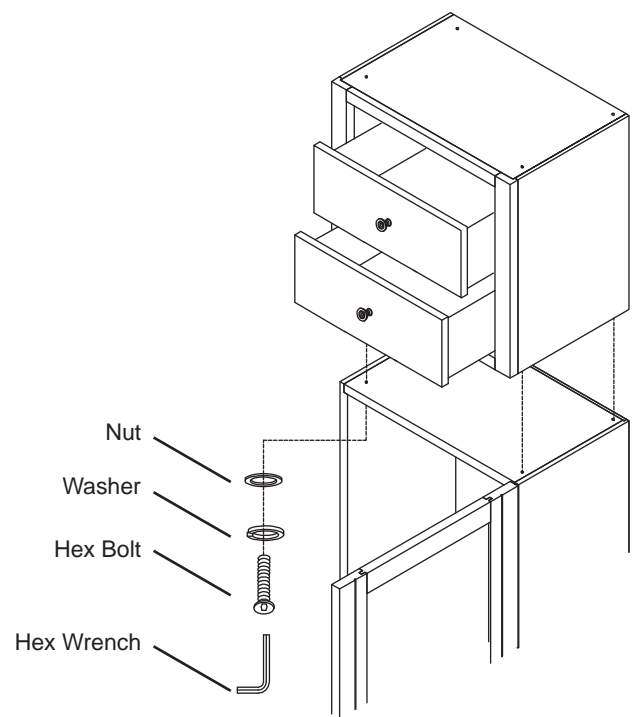
Secure the base to the storage shelf.



DRAWER INSTALLATION

Insert hex bolts and washers into the holes in the corner of the shelf.

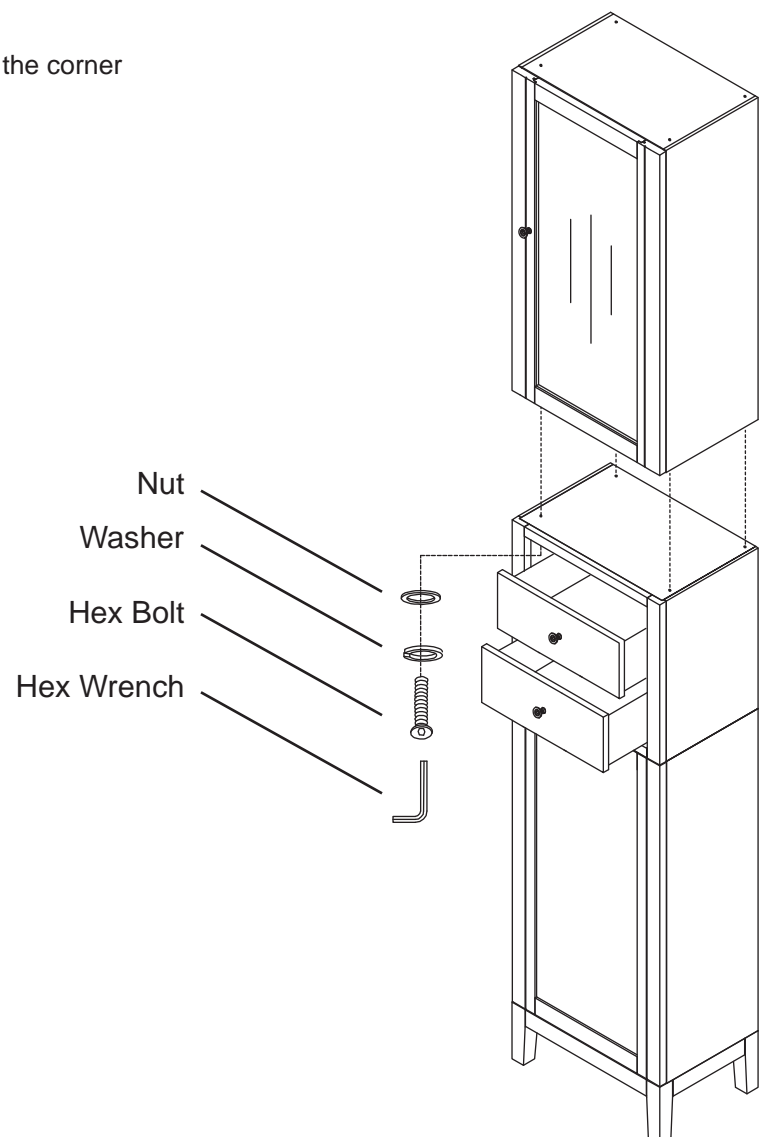
Secure the drawer to the storage shelf.



SHELF INSTALLATION

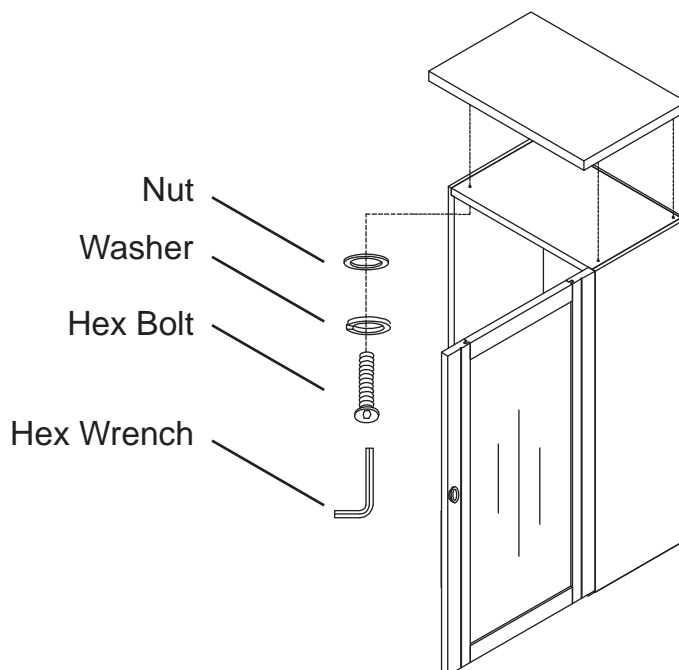
Insert hex bolts and washers into the holes in the corner of the drawer.

Secure the storage shelf to the drawer.

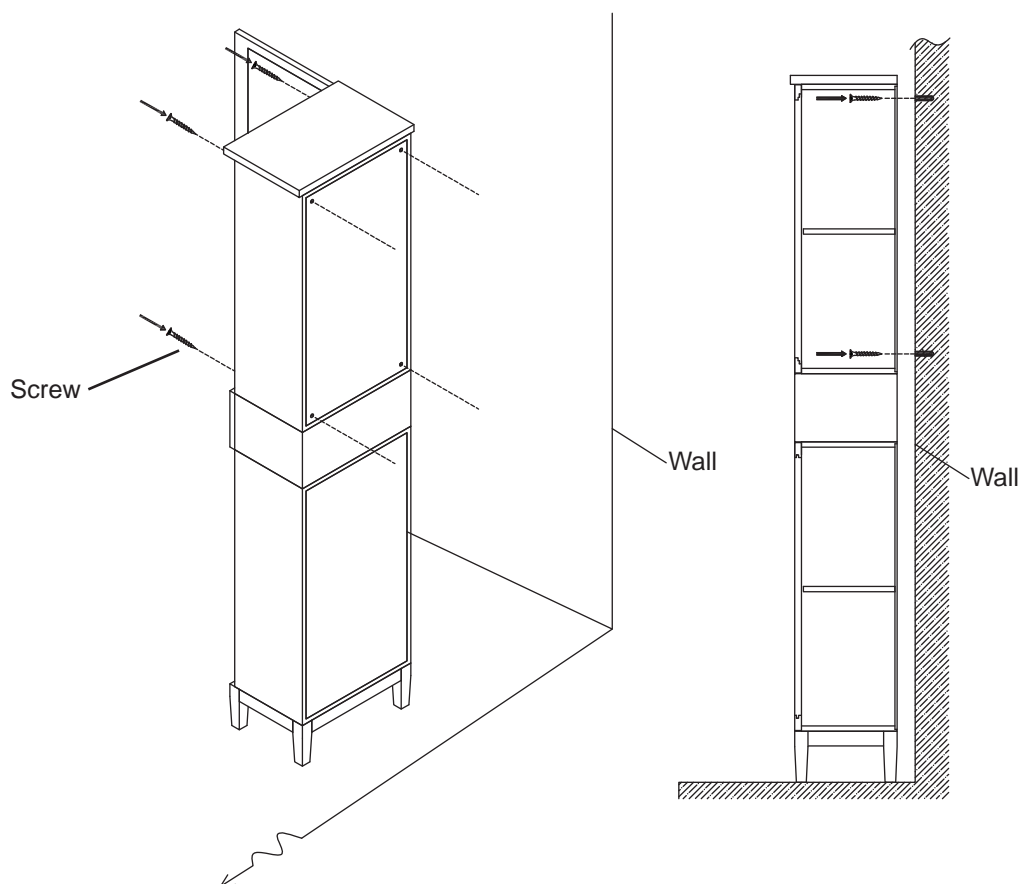


TOP INSTALLATION

Insert hex bolts and washers into the holes in the corner of the shelf.
Secure the top to the storage shelf.



WALL INSTALLATION



CARE AND CLEANING

- To maintain the beauty of the finish, avoid placing the furniture in direct sunlight, as sunlight causes fading. Also avoid extreme changes in temperature by arranging furniture away from radiators, heat and air vents, and air conditioning units. Avoid placing furniture directly under windows.
- Dust the vanity frequently with a clean, soft, dry, lint-free cloth, as well as polish it on a regular basis. Clean the surface by rubbing in the direction of the grain. Avoid using silicone cleaners and waxes.
- Clean up excess water and spills immediately. Use blotting rather than a wiping action. Water left over a long period of time will cause white spots in the finish. Please note that some chemicals may damage the finish.